



KEY BENEFITS

The FT Switches and FT Test Plugs have all the features necessary for applications involving the measurement of individual currents and voltages to facilitate testing of substation instrumentation and protection devices from the front of the panel. The make before-break current short circuit feature allows test personnel the convenience of isolating equipment from current transformer circuits.

Voltage measurements can be made directly on the FT Switch without disturbing existing connections. There is a test clip provision located on the top of each pole that allows connection with standard spring clip test leads.

APPLICATIONS

FT Test Switches:

The ITI FT Test Switches and Test Plugs provide a safe, simple, immediate and reliable method to isolate equipment and measure system current and voltage during field testing and commissioning.

RT Rack Mount Test Switches:

RT Switch assemblies for rack and switchboard mounting permit convenient isolation of switchboard relays, meters and instruments. RT racks allow quick and easy multi-circuit testing by conventional test methods and for faster installation into switchgear.

FEATURES

FT Test Switch:

- Built with a maximum of ten individual poles, of potential, current, and current shorting switch units
- Switches can be assembled in a variety of different arrangements to match customer requirements
- FT Test plugs are used in conjunction with the FT Switches to enable easy measurement, calibration, verification or maintenance of relays, meters and instruments
- UL / cUL E101598

Protection:

- With the cover in place, a meter type seal can be placed through either of the cover studs of the FT Switch to prevent unauthorized access
- Standard black cover mounts only when all switches are in the closed position
- A clear cover is available that can be installed with the switchblades in the open or closed position

RT Rack Mount Test Switches:

- RT Switches accommodate three FT switches mounted on a 19" wide steel mounting panel (Brushed aluminum available)
- Provides up to 30 terminals with three FT combinations
- Color and finish can be customized
- Optional rack heights for label applications
- Each panel is supplied with the hardware to mount the RT assembly to the 19" rack enclosure
- The RT assembly will support an FT style test plug
- Full-length clear cover is standard. Full length black cover, individual clear covers, and individual black covers are available
- UL / cUL E101598

Protection:

- Once the full-length clear cover on the RT switch is installed, it prohibits access to some of the rack mounting screws
- Individual clear covers offer additional protection consistent with common testing procedures to ensure only correct switch is exposed during testing

FT Specifications

Rating

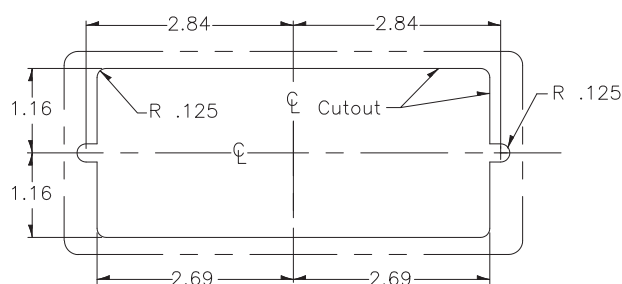
The standard FT switch is rated at 600 volts and 30 Amps. The Switch meets or exceeds all requirements of ANSI / IEEE Standard C37.90 and is UL and cUL recognized.

Mounting

FT Switches are designed for semi-flush mounting on the front of switchboard panels, facilitating inspection and accessibility.

Drilling Plan - Inches

Weight	Net Lbs.	Shipping Lbs.
FT Switch	1.4	1.6
Test Plug	1.2	1.4



FT Switch Construction

The base of the FT Switch is made of black electrical grade plastic material which provides a tough insulated enclosure. Barriers are molded into the base (front and rear) to separate the switch units from one another. The barriers provide insulation between poles and ample space between terminals.

Cover

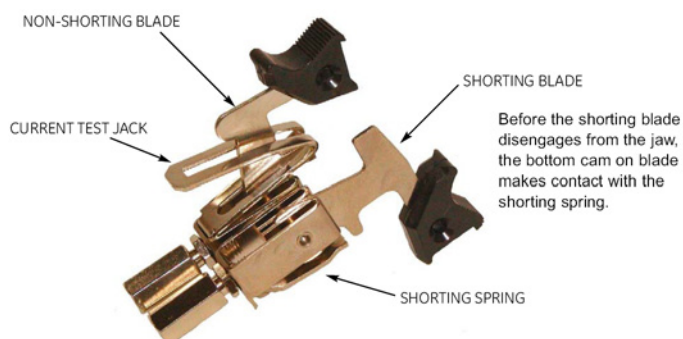
FT Switches come with a black opaque cover or a clear see-through cover. Switch covers provide a tough insulated enclosure for the switch and are made from plastic material. The clear cover affords the user the option of leaving switch handles in the open position and replacing the cover while maintaining the provision for a meter type seal when some or all switch handles are in the open position. This feature allows the user to service electrical equipment while still complying with OSHA lockout/tag-out procedures. The clear cover can be ordered separately for retrofit to existing FT Switches. RT racks come standard with a full length clear cover and can be sealed with a meter seal.

Fasteners

Captive fasteners are made of molded plastic with a threaded brass insert for easy cover installation and removal.

Switch Poles

FT Switches are available in configuration of 1 to a maximum of 10 individual poles or switch units. Each pole identified by letter (A thru J), which is visible along the top of the base from left to right. The individual switch units are of knife blade type. There are three different types of switch units available: potential, current, and current shorting.



Blade assembly of two position pole "C-C" (outside of base)

Switch Handles

Switch handles are made of a molded plastic insulating material typically black in color. Red handles can be supplied by replacing the "P" with "T" for potential handles and replacing "C" with "R" for current handles. Additional colors are available upon request.

Each handle has a dovetail indentation to hold a circuit identification label (by others). Knife blade switches can be operated independently or ganged together with a horizontal interlocking bar (see page 4).

A hole runs through the middle of each switch handle to allow insertion of interlocking bars. 2 to 10 switch handles can be mechanically tied together.

Terminals

Connection terminals are located at the rear of the switch and can be either screw or stud type. Terminals are numbered 1 thru 20 for easy identification. Each pair of numbered terminals is associated with a matching pole designated by a letter on the front of the switch.



FT switch terminals 1 thru 20 (rear view)

FT Test Plugs

The Test Plug with a maximum of 10 positions is designed to match the pole configuration of specific styles of FT Switches. Not every switch configuration is suitable to accept a Test Plug. For available styles, see switch selection tables.



10-Pole "In-Service Series" Test Plug Inserted into FT Test Switch

In-Service Series Test Plug

Provision is made only on current poles with shorting springs to automatically short-circuit current transformer circuits when the knife switches are opened prior to inserting the Test Plug.

This Test Plug is typically used to connect devices measuring the currents and voltages being applied to the switchboard relays, meters and instruments without interrupting or short-circuiting the circuit. Only the current test switches with the current jack must be opened before inserting the Series Test Plug. Connections to the test plug must be made before inserting the test plug into the FT Switch. Before inserting the Test Plug, all switchblades that are opposite bi-conductor paddles must be placed in the full open position.



10-Pole "In-Service Series" Test Plug

Single Pole Current Test Plug with Open Secondary CT Protection

- Helps reduce risk of high voltages associated with open CT secondary
- Reduces risks due to operator error, incorrect equipment settings and deviation from correct test procedures
- Adds safety for operators and technicians
- Provides a simple, fast and reliable method to isolate and service installed meters, relays and CT's

How it works

If a CT opens during operation:

- Test plug shorts the CT secondary to help reduce the risk of over-voltage conditions for personnel and equipment
- Red LED provides visual indication of an open CT secondary circuit causing an over-voltage condition

Features

- Ergonomic hand-held design allows in-service current measurement with an ammeter
- Ratings: 600 V, 20 A continuous
- LED indication of over-voltage protection operation
- Designed for use with ITI FT test switch
- Available with or without CT open secondary protection
- ANSI/IEEE C37.90 standards



Ordering Information:

Catalog Number	Open Circuit CT Protection
SPTP-01	Yes
SPTP-02	No

Non Standard FT Style Switch Selector

Step 1

- The Switch body can support 1 to 10 poles in slot marked A through J
- Enter a letter from the legend. Leave unused slots blank

Position:

A	B	C	D	E	F	G	H	I	J

Example:

A	B	C	D	E	F	G	H	I	J
P	C-	-C	R	C	R-	-R	P	P	P

Legend:

- P=Potential, Black
- T=Potential, Red
- C=Current, Non-shorting, Black
- C-C or C-C-C- or C-C-C-C = Current , Shorting, Black
- R = Current, Non-shorting, Red
- R-R, R-R-R, R-R-R-R = Current, Shorting, Red
- Additional colors available - See page 11
- (Note: Some functions will require more than one slot in the switch body)

Step 2

(Optional)

If a tie bar is required then check this box and draw a dark heavy line over the poles to be joined.

(In the example shown in Step 1 positions H, I and J will operate together.)

Step 3

Select a cover style

Clear (installs over open and closed switch blades)

Black (installs over closed switch blades only)

Step 4

Select a rear terminal type

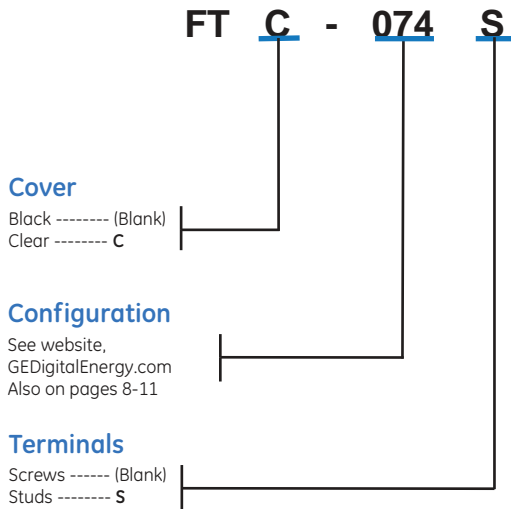
Screws (Standard)

Studs (Optional)

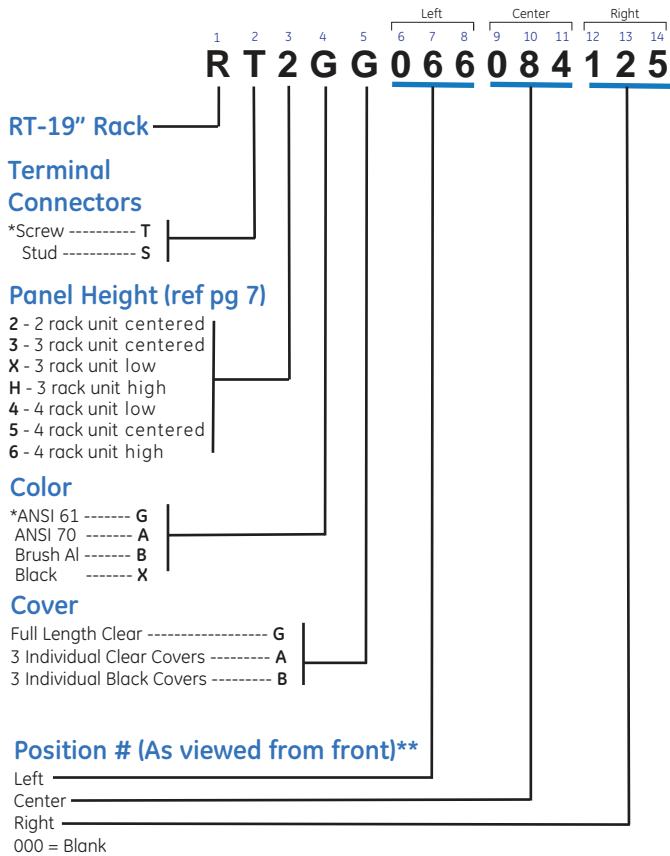
FACTORY USE ONLY

Catalog Number Assignment _____

Catalog Number for FT Style Switches



Catalog Number for RT Style Rack Mount Switches

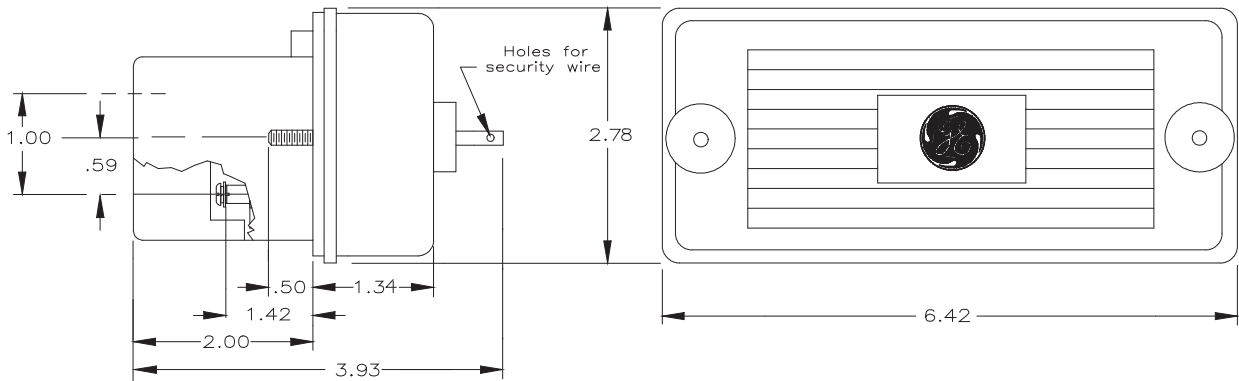


* Denotes standard features

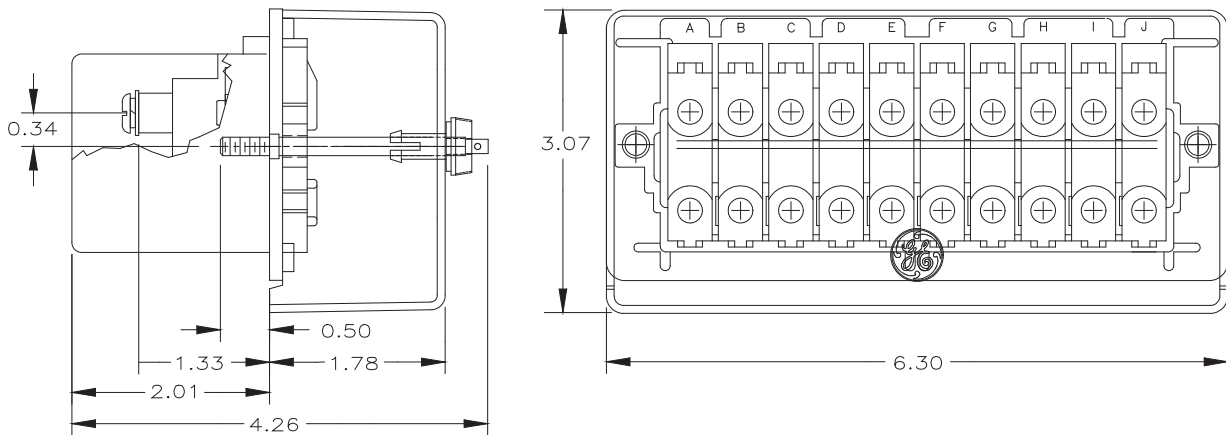
** See pages 8 thru 11 for 3 digit codes or go to "Configure a FT Switch" at GEDigitalEnergy.com/ITI

Dimensional Drawing - Type FT Test Switch

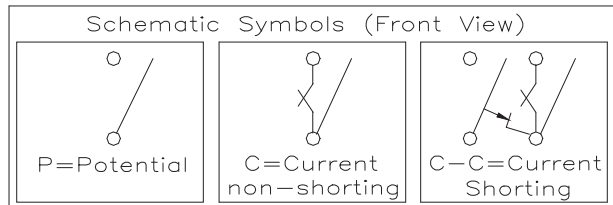
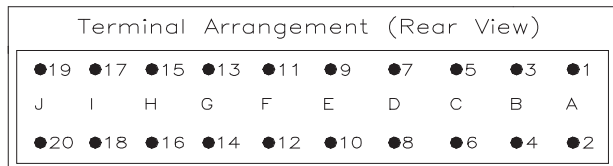
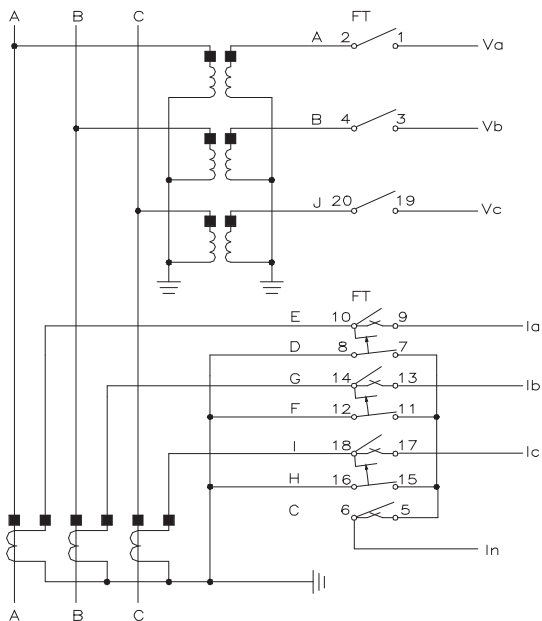
Black cover and threaded stud terminals



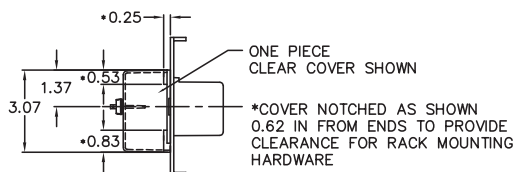
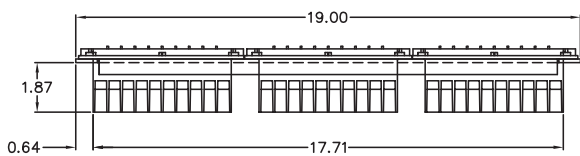
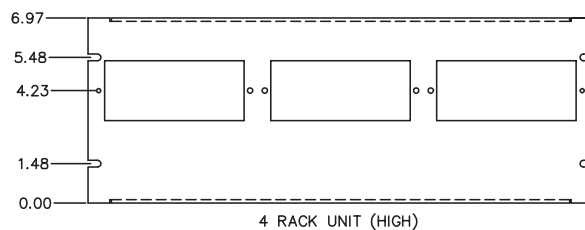
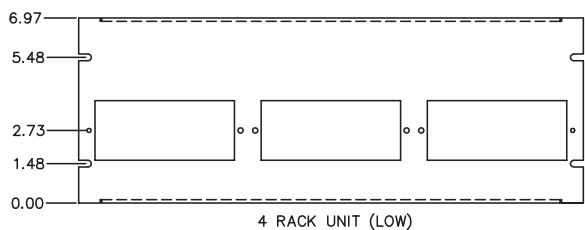
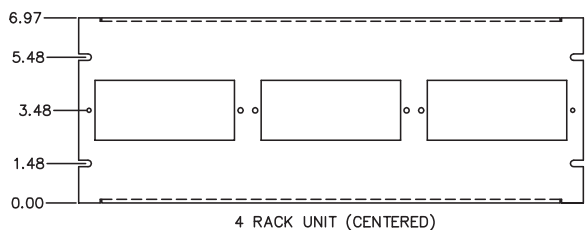
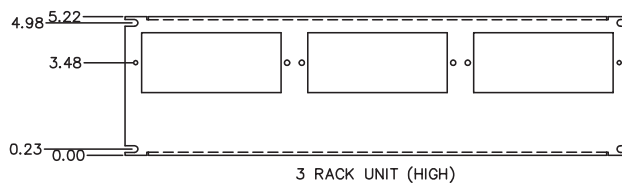
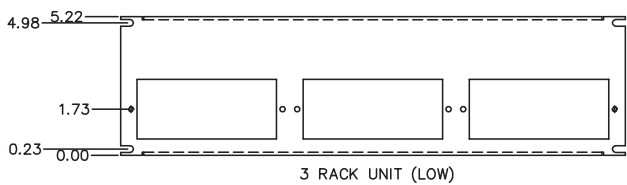
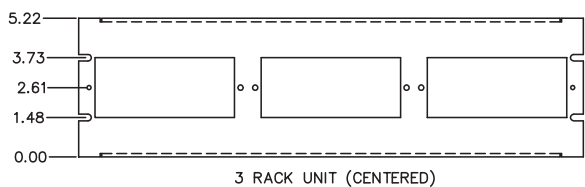
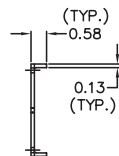
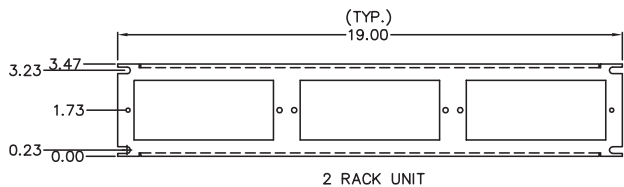
Clear cover and screw terminals



Typical FT Switch Connection Schematic using an FT-076 switch



Dimensional Drawing - Type RT Mounting Racks



Configuration Selection Chart

INDIVIDUAL FT SWITCH NUMBER	POLES			SWITCH CONFIGURATION										TEST PLUG NUMBER		
				P=POTENTIAL	*C=CURRENT (NON-SHORTING)					*C-C=CURRENT (SHORTING)						
	TOTAL	V	A	A	B	C	D	E	F	G	H	I	J			
-001	2	2	0	P	P											TP-109
-002	2	2	0				P			P						TP-109
-003	2	0	2		C—C											TP-106
-004	2	0	2						C—C							TP-107
-005	2	0	2								C—C					TP-101
-006	4	4	0	P	P	P									P	TP-109
-007	4	4	0	P	P							P	P			TP-109
-008	4	4	0	P							P	P	P			TP-109
-009	4	4	0			P	P	P	P							TP-109
-010	4	2	2	P	P						C—C					TP-101
-011	4	2	2	P							C—C			P		TP-101
-012	4	0	4		C—C	C—C										TP-108
-013	4	0	4						C—C	C—C						TP-102
-014	4	0	4		C	C	C	C								
-015	5	5	0	P	P						P	P	P			TP-109
-016	5	3	2	P	P						C—C			P		TP-101
-017	5	3	2	P	C—C	P								P		TP-108
-018	5	1	4		C	C		C		C					P	
-019	5	0	5	C		C		C		C			C			
-020	6	6	0	P	P	P	P					P	P	P		TP-109
-021	6	6	0	P	P	P						P	P	P		TP-109
-022	6	6	0				P	P	P	P	P	P	P			TP-109
-023	6	4	2	P					P	P	C—C			P		TP-101
-024	6	3	3	P	P						C—C			P		TP-102
-025	6	2	4	P					C—C	C—C				P		TP-102
-026	6	0	6	C		C		C			C	C	C			
-027	6	0	6		C—C			C—C			C—C					
-028	6	0	6			C	C	C	C	C	C					
-029	6	0	6				C—C	C—C	C—C	C—C						TP-103
-030	6	0	6				C	C	C	C	C	C				
-031	7	7	0	P	P	P	P			P	P	P				TP-109
-032	7	7	0	P	P	P	P				P	P	P			TP-109
-033	7	7	0		P	P	P	P	P	P	P					TP-109
-034	7	7	0	P			P	P	P	P	P	P				TP-109
-035	7	7	0	P			P	P	P		P	P	P			TP-109
-036	7	5	2	P	P	P	P	P			C—C					TP-101
-037	7	5	2	P	P				C—C		P	P	P			TP-107
-038	7	5	2	P	C—C	P					P	P	P			TP-106
-039	7	4	3	P	P	C		C		C			P	P		TP-113
-040	7	3	4	P	P	P			C—C	C—C						TP-102
-041	7	3	4	P	P				C—C	C—C	C—C			P		TP-102
-042	7	3	4	P	C	C		C		C			P	P		
-043	8	8	0	P	P	P	P	P			P	P	P			TP-109
-044	8	8	0	P	P	P	P			P	P	P	P			TP-109
-045	8	8	0	P			P	P	P	P	P	P	P			TP-109
-046	8	6	2	P	P	P	P	P			C—C			P		TP-101
-047	8	6	2	P	P	P			C—C		P	P	P			TP-106
-048	8	4	4	P	P	P	P		C—C	C—C						TP-102
-049	8	4	4	P	P		C	C	C	C			P	P		
-050	8	4	4	P	P		C—C	C—C	C—C				P	P		TP-110

Configuration Selection Chart

INDIVIDUAL FT SWITCH NUMBER	POLES			SWITCH CONFIGURATION										TEST PLUG NUMBER
	TOTAL	V	A	P=POTENTIAL			* C=CURRENT (NON-SHORTING)			* C-C=CURRENT (SHORTING)				
				A	B	C	D	E	F	G	H	I	J	
-051	8	4	4	P	C	C	P			P	C	C	P	TP-105
-052	8	4	4			P	P	P	C	C	C	C	P	TP-102
-053	8	2	6		C	C	C	C	C	C	P	P		TP-108
-054	8	2	6		C	C	C	C	C	C		P	P	TP-108
-055	8	1	7	P		C	C	C	C	C	C	C		TP-111
-056	8	0	8	C	C	C	C			C	C	C	C	
-057	8	0	8		C	C	C	C	C	C	C	C	C	
-058	8	0	8		C	C	C	C	C	C	C	C	C	TP-111
-059	9	9	0	P	P	P	P		P	P	P	P	P	TP-109
-060	9	9	0	P	P		P	P	P	P	P	P	P	TP-109
-061	9	6	3	P	P	P	P	P		C	C	C	P	
-062	9	5	4	P	P	P	P	P	C	C	C	C		TP-102
-063	9	5	4	P	P	P	P		C	C	C	C	P	TP-102
-064	9	3	6	P	P		C	C	C	C	C	C	P	TP-103
-065	9	0	9	C	C	C	C	C	C	C	C	C		
-066	10	10	0	P	P	P	P	P	P	P	P	P	P	TP-109
-067	10	9	1	C	P	P	P	P	P	P	P	P	P	
-068	10	8	2	P	P	P	P	P	P	P	C	C	P	TP-101
-069	10	7	3	P	P	P	P	P	P	C	C	C	P	
-070	10	6	4	P	P	P	P	P	C	C	C	C	P	TP-102
-071	10	6	4	P	P	P	C	C	P	P	C	C	P	TP-104
-072	10	6	4	P	C	C	P	P	P	P	C	C	P	TP-105
-073	10	6	4	C	C	C	C	P	P	P	P	P	P	
-074	10	4	6	P	P	P	C	C	C	C	C	C	P	TP-112
-075	10	4	6	P	C	C	P	C	C	P	C	C	P	
-076	10	3	7	P	P	C	C	C	C	C	C	C	P	TP-111
-077	10	2	8	P	C	C	C	C	C	C	C	C	P	
-078	10	2	8	P	C	C	C	C	C	C	C	C	P	TP-111
-079*	10	2	8	C	C	C	C	C	C	C	C	C	P	
-080	10	1	9	C	C	C	C	C	C	C	C	C	P	
-081	10	0	10	C	C	C	C	C	C	C	C	C	C	
-082	10	0	10	C	C	C	C	C	C	C	C	C	C	
-083	10	10	0	T	T	T	T	T	T	T	T	T	T	
-084	10	4	6	P	P	P	P	C	C	C	C	C		
-085	10	2	8	C	C	C	C	C	C	C	C	P	P	
-086	10	3L	7	L	C	C	L	C	C	L	C	C	C	
-087	10	4	6	P	P	P	C	C	C	C	C	C	T	TP-112
-088														
-089	10	2	8	P	P	C	C	C	C	C	C	C		
-090	10	0	10	C	C	C	C	C	C	C	C	C	C	
-091	9	9	0	P	P	P	P	P	P		P	P	P	TP-114
-092	8	2	6	C	C	C	C	C	C	P	P			
-093	6	6	0	P	P	P	P	P	P					TP-114
-094	6	4	2	P	P	P	C	C	P					TP-115
-095	8	0	8	C	C			C	C	C	C	C	C	
-096	9	3	6	P	P	P	C	C	C	C	C	C	C	
-097	9	3	6	P	P	P	C	C	C	C	C	C		
-098	10	4	6	C	C	C	C	C	C	P	P	P	P	
-099	10	4	6	C	C	C	C	C	C	T	T	T	T	
-100	10	10	0	P	P	P	P	P	P	P	P	T	T	

Configuration Selection Chart

INDIVIDUAL FT SWITCH NUMBER	POLES			SWITCH CONFIGURATION										TEST PLUG NUMBER
				P=POTENTIAL		*C=CURRENT (NON-SHORTING)				*C-C=CURRENT (SHORTING)				
	TOTAL	V	A	A	B	C	D	E	F	G	H	I	J	
-101	10	10	0	T	T	P	P	P	P	P	P	P	P	
-102	10	0	10	R	R	R	R	R	R	R	R	R	R	
-103	9	9	0	T	T	T	T		T	T	T	T	T	TP-109
-104	10	8	2	P	P	P	P	P	P	C	C	P	P	
-105	7	0	7			C	C	C	C	C	C			
-106	3	3	0	T				T						T
-107	10	4	6	P	P	P	C	C	C	C	C	C	T	
-108	9	3	6	P	P	P	C	C	C	C	C	C		
-109	2	2	0	T										T
-110	6	0	6	C	C	C	C	C	C					
-111	10	10	0	P	P	P	P	P	P	P	T	P	T	TP-109
-112	10	10	0	P	P	P	P	P	P	P	P	P	T	TP-109
-113	10	2	8	P	C	C	C	C	C	C	C	C	T	TP-111
-114	10	10	0	T	T	T	T	T	T	T	T	T	T	TP-109
-115	6	6	0	T	T	T	T					T	T	TP-109
-116	10	10	0	P	P	P	T	T	P	P	P	P	P	TP-109
-117	10	10	0	P	P	P	P	P	P	T	T	P	P	TP-109
-118	10	2	8	C	C	C	C	C	C	C	C	T	T	TP-111
-119	10	2	8	P	C	C	C	C	C	C	C	T	T	TP-111
-120	8	8	0	T	T	P	P			P	P	P	P	TP-109
-121	10	10	0	T	T	P	P	P	P	P	P	T	T	TP-109
-122	10	6	4	P	P	C	P	C	P	C	P	C	P	TP-111
-123	7	7	0	T	T	P	P				P	P	P	TP-109
-124	10	2	8	T	T	C	C	C	C	C	C	C	C	
-125	4	4	0	T	T	T								T
-126	10	6	4	C	C	C	C	T	T	T	T	T	T	
-127	6	6	0				T	T	T	T	T	T		TP-109
-128	10	4	6	P	P	P	R	R	R	R	R	R	P	TP-112
-129	10	10	0	O	O	O	O	O	O	O	O	O	O	TP-109
-130	10	2	8	C	C	C	C	C	C	C	B	P	P	
-131	10	4	6	P	P	P	P	R	R	R	R	R	R	TP-112
-132	10	4	6	P	P	P	P	O	O	O	O	O	O	
-133	10	6	4	R	R	R	R	P	P	P	P	P	P	
-134	6	6	0					P	P	P	P	P	P	
-135	10	2	8	R	R	R	R	P	P	R	R	R	R	
-136	10	10	0	P	P	P	P	P	P	P	P	T	T	
-137	8	0	8	R	R	R	R			R	R	R	R	
-138	8	4	4	P	P		R	R	R	R		P	P	
-139	6	6	0	T	T	T	T					T	T	
-140	10	0	10	R	R	R	R	R	R	R	R	R	R	
-141	10	2	8	P	P	R	R	R	R	R	R	R	R	
-142	4	0	4		R	R	R	R						
-143	10	10	0	P	P	P	P	P	P	P	T	T	T	
-144	10	8	2	C	C	T	T	T	T	T	T	T	T	
-145	10	1	9	C	C	C	C	C	C	C	C	C	T	
-146	10	4	6	P	P	T	C	C	C	C	C	C	T	
-147	10	10	0	P	P	P	P	T	T	T	T	T	T	
-148	4	4	0				P	P	P	P				
-149	10	10	0	T	T	T	T	T	T	T	T	T	T	
-150	10	10	0	P	P	P	P	T	T	T	T	P	P	

Configuration Selection Chart

INDIVIDUAL FT SWITCH NUMBER	POLES			SWITCH CONFIGURATION										TEST PLUG NUMBER
	TOTAL	V	A	P=POTENTIAL			* C=CURRENT (NON-SHORTING)			* C-C=CURRENT (SHORTING)				
				A	B	C	D	E	F	G	H	I	J	
-151	10	10	0	P	T	P	P	T	P	P	T	P	P	
-152	10	2	8	P	C—C	C—C	C—C	C—C	C—C	C—C	C—C	C—C	P	TP-111
-153	10	3	7	P	P	C	C—C	C—C	C—C	C—C	C—C	C—C	T	TP-111
-154	10	4	6	P	C—C	C—C	C—C	C—C	C—C	C—C	P	P	P	
-155	10	10	0	P	T	P	P	P	P	P	P	P	T	
-156	10	10	0	P	T	P	P	P	P	P	P	T	T	
-157	10	10	0	P	T	P	P	P	P	P	T	T	T	
-158	10	10	0	P	T	T	P	P	P	P	P	T	T	
-159	10	10	0	P	T	T	P	P	P	P	T	T	T	
-160	10	10	0	P	T	T	P	P	P	T	T	T	T	
-161	10	10	0	P	T	T	P	P	T	T	T	T	T	
-162	10	10	0	P	T	T	P	T	T	T	T	T	T	
-163	10	10	0	P	T	T	T	T	P	T	T	T	T	
-164	10	10	0	P	T	T	T	T	T	T	T	T	T	
-165	10	10	0	P	T	P	P	T	P	P	P	P	T	
-166	10	10	0	P	T	T	T	T	P	P	P	P	P	
-167	8	0	8		R—R	R—R	R—R	R—R	R—R	R—R	R—R	R—R		TP-111
-168	8	4	4			R	P	R	P	R	P	R	P	
-169	10	8	2	C—C	C—C	P	P	P	P	P	P	P	P	
-170	10	2	8	T	R—R	R—R	R—R	R—R	R—R	R—R	R—R	R—R	T	TP-111
-171	10	10	0	Y	Y	Y	Y	Y	Y	Y	Y	Y	Y	TP-109
-172	10	1	9	C—C	C—C	C—C	C—C	C—C	C—C	C—C	C—C	C—C	P	
-173	10	10	0	P	P	T	T	T	T	T	T	P	P	
-174	10	10	0	P	P	T	T	T	T	T	T	T	T	
-175	10	10	0	O	O	O	O	O	Y	Y	Y	Y	Y	TP-109
-176	5	1	4		C		C	P	C		C			TP-109
-177	10	6	4	C—C	C—C	T	P	P	P	T	P	C—C	C—C	
-178	10	4	6	T	T	T	T	C—C	C—C	C—C	C—C	C—C		
-179	10	10	0	P	T	P	P	P	P	P	P	T	P	TP-109
-181	10	0	10	C—C	C—C	C—C	C—C	C—C	C—C	C—C	C—C	C—C	C—C	
-182	10	0	10	C—C	C—C	C—C	C—C	C—C	C—C	C—C	C—C	C—C	C—C	
-183	10	4	6	C—C	C—C	C—C	P	P	P	P	P	C—C	C—C	
-184	10	10	0	B	B	B	B	B	B	B	B	T	P	TP-109
-185	10	10	0	T	T	T	T	T	T	P	P	P	P	TP-109
-186	10	10	0	T	T	T	T	P	P	P	P	P	P	TP-109
-187	10	4	6	T	T	T	C—C	C—C	C—C	C—C	C—C	C—C	T	TP-112
-188	10	4	6	C—C	C—C	C—C	C—C	C—C	P	P	P	P	T	
-189	10	4	6	T	C—C	C—C	T	C—C	C—C	T	C—C	C—C	T	
-190	10	6	4	P	P	P	P	P	P	C—C	C—C	C—C	C—C	

- P = POTENTIAL- black handle
- T = POTENTIAL- red handle
- C = Current Non-shorting - black handle
- R = Current Non-shorting - red handle
- C-C = Current shorting - black handle
- R-R = Current shorting - red handle
- O = POTENTIAL- orange handle
- Y = POTENTIAL- yellow handle
- G = POTENTIAL- green handle
- B = POTENTIAL- blue handle
- W = POTENTIAL- white handle
- CO = Current Non-shorting - orange handle
- CY = Current Non-shorting - yellow handle
- CG = Current Non-shorting - green handle
- CB = Current Non-shorting - blue handle
- CW = Current Non-shorting - White handle
- CO-CO = Current shorting - orange handle
- CY-CY = Current shorting - yellow handle
- CG-CG = Current shorting - green handle
- CB-CB = Current shorting - blue handle
- CW-CW = Current shorting - white handle

* = SHORT CIRCUIT WITHOUT JAW OR BLADE AT POSITION "H"

= FT-079 and FT-085 *APPEAR SIMILAR EXCEPT THAT FT-079 IS SHORT CIRCUIT WITHOUT JAW OR BLADE AT POSITION "H"

Note: Selection Chart does not include all possible configurations